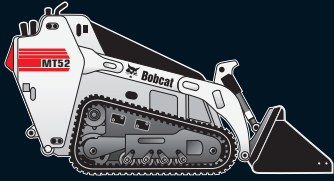


 **Bobcat**®




MT52
MINI TRACK LOADER



One Tough Animal

One-Man Crew!

Bobcat® MT52 Mini Track Loader

Landscapers...Contractors...Rental Operators...
here's the perfect complement to your loader fleet!

It's tough...it's versatile...it's fast, agile and strong! The new MT52 delivers all the rugged dependability you expect from the Bobcat brand, along with the jobsite convenience of a walk-behind mini track loader!

What can it do?

You name it. The MT52 digs, augers, tills, trenches, moves material — and all kinds of other jobs you'll think of when you're out on the worksite.

Only 36 inches wide

The MT52 mini loader packs a lot of power in a small package. It lets you work in tight spots, both indoors and out...slips easily through most doorways and fence gates.



Simple to operate

The instrument panel is easy to understand, easy to use.



Ride on it or walk behind it!

- Hook up or unhook ride-on platform in less than two minutes
- Pivoting platform provides smooth ride
- Large standing surface area promotes operator comfort
- Platform moves like a wheelbarrow when not installed
- Platform is easy to transport



Get versatile! Hook up your MT52 to a wide choice of hard-working Bobcat attachments, including:



Angle Broom

Sweeps snow, dirt and debris from sidewalks, driveways and warehouse floors.



Auger

Augers holes with speed and plumb-line accuracy. Bits up to 36 in. available.



MT52 Bucket

Designed to handle a wide variety of jobs and materials.



Hydraulic Breaker

Break up asphalt, concrete and other hard surfaces; smash through walls. Exceptional power.



Landplane

Grades, levels, transports material, breaks up hard ground, peels sod.



Pallet Fork

Handles palletized material and long objects, such as lumber and fence posts.



Soil Conditioner

Smooths ruts, moves material, levels mounds and handles many soil preparation chores.



Tiller

Digs and loosens soil, mixes compost and other materials into existing soil.



Trencher

Handles a wide range of jobs, including trenching close to buildings.



Utility Blade

Use it both as a snow blade or dozer blade. Moldboard angles up to 30 degrees.

STANDARD EQUIPMENT

- Bob-Tach™ Mounting System Interface
- Reverse Stop Panel
- Lift Arm Lockout with Manual Bypass
- Tilt Lockout
- Tracked Drive System
- Hydrostatic Drive
- Auxiliary Hydraulics
- Liquid-Cooled Diesel Engine
- Parking Brake
- Gauges / Warning Lights
- Spark Arrestor Muffler
- Built-In Tie-Down Locations
- Built-In Lift Hook Locations
- Lift Arm Support
- Neutral Start Interlocks

Parts and service backup

With every Bobcat product, you get the support of a worldwide network of dealers offering industry-leading attachments, accessories and parts availability. Their factory-trained technicians are equipped to handle all your parts and service requirements, including engine and hydrostatic/hydraulic components.

Unbeatable Bobcat warranty

The best equipment carries the best warranty! The MT52 mini track loader comes with a full one-year warranty with unlimited hours.

Operator training

An operator safety video is available.

520 lb.	71.3 in.	NET 18.8 / GROSS 20	36 in.	12.0 gpm
Rated Operating Capacity	Lift Height	Liquid-Cooled Diesel Engine	Width (with bucket)	Auxiliary Hydraulic Flow

Bobcat® MT52 Mini Track Loader

SPECIFICATIONS

Performance

Rated Operating Capacity
Tipping Load
Hydraulic Pump Capacity
Travel Speed -High Range

MT52

520 lb. (236 kg)
1584 lb. (719 kg)
12.0 gpm (45.4 L/min.)
3.5 mph (5.6 km) forward
1.5 mph (2.3 km) reverse
2506 lb. (1137 kg)
5.2 psi

Dimensions

Length (without bucket)
Width (with bucket)
Height
Height to Bucket Pin

70.5 in. (1791 mm)
36.0 in. (914 mm)
48.6 in. (1235 mm)
71.3 in. (1810 mm)

Engine

Make/Model
Fuel/Cooling
Cylinders
HP/Displacement
Fuel Tank Capacity

Kubota D722EB
Diesel/Liquid
3
20.0 hp gross, 18.8 hp net / 44 cu. in.
7.0 gal. (26.5 L)

Operation

Steering and Drive
Lift and Tilt
Transmission
Attachment

Direction and speed controlled by one multi-function handle.
Raise/lower and dump/rollback controlled by one lever.
Hydrostatic track drive system.
Single lever with dual direction detent.

Standard Features

Auxiliary Hydraulics	Liquid-Cooled Diesel Engine
Bob-Tach™	Neutral Start Interlocks
Mounting System	Parking Brake
Gauges/Warning Lights	Reverse Stop Panel
Hydrostatic Drive Train	Spark Arrestor Muffler
Lift Arm Lockout w/Manual Bypass	Tie-down Locations
Lift Arm Support	Tilt Lockout
Lift Hook Locations	Tracks (7 in. wide)

Options/Accessories

Attachment Control Kit	Ride-on Platform
Engine Block Heater	Shutdown kit
	Light Kit

MT52 Mini Track Loader — the One-Man Crew!

Just one worker can take on a variety of jobs with the new Bobcat MT52. Its rated operating capacity of 520 pounds makes this mini track loader the perfect complement to your loader fleet!

Ride on it or walk behind it — the MT52 is the only mini track loader on the market that gives you that choice!

It digs, augers, trenches, moves material... along with dozens of other tasks you'll think up when you're out on the worksite. It's easy to find things for the MT52 to do because there are so many job-matched Bobcat attachments to choose from.

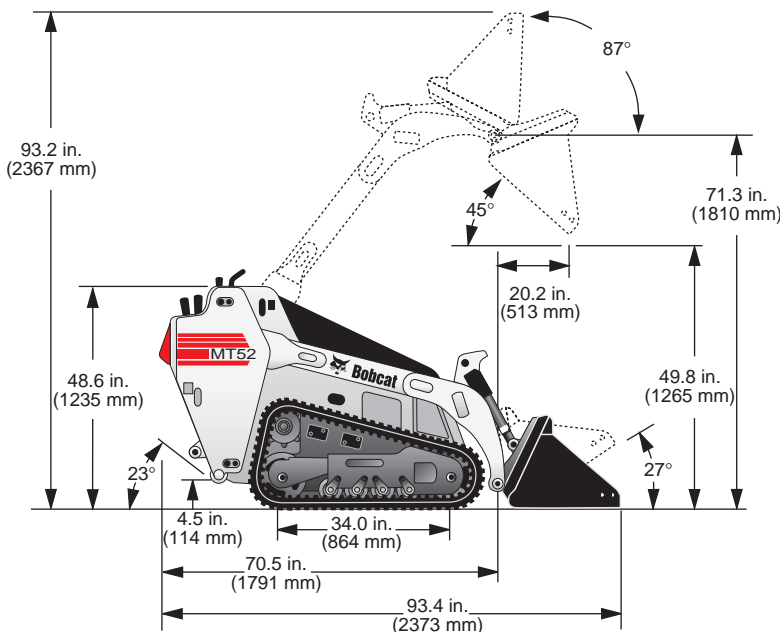
And look at its size. Only 35.6 inches wide and 70.5 inches long without attachment, it goes where most other machines can't — through doorways and fence gates — to get you working in close quarters indoors or outdoors.

Another big plus: the MT52's rugged rubber tracks keep you going in soft, wet or muddy conditions, with minimal ground disturbance.

So grab yourself a handful of concentrated power — and get to work with the new Bobcat MT52 mini track loader!

520 LB. **12.0 GPM.** **36 IN.**
Rated Operating Capacity Hydraulic Flow Width (with bucket)

NOTE - Where applicable, dimensions are in accordance with Society of Automotive Engineers (SAE) and ISO standards. Specifications and design are subject to change without notice. Pictures of Bobcat loaders may show other than standard equipment. All dimensions are given for loader equipped with standard tires. All dimensions are shown in inches. Respective metric dimensions are enclosed by parentheses. Bobcat Company complies with the requirements of ISO 9001 as registered with BSI.



B-1776

Bobcat Company
P.O. Box 6000 • West Fargo, ND 58078
www.bobcat.com

Printed in U.S.A.

An **IR** Ingersoll-Rand business

Kn-30M-1203-#645032-F

Bobcat Attachments for this model:

- Angle Broom (48")
- Auger (Model 10)
- Bucket (MT52 36")
- Hydraulic Breaker (B700)
- Landplane (48")
- Pallet Fork
- Snowblower
- (150x36 & 150x48)
- Soil Conditioner
- Stump Grinder (SG-30)
- Tiller (38")
- Trencher (LT112)
- Utility Blade (48")
- Utility Fork (36")
- Utility Grapple
- Vibratory Plow